



Model 485

Needle Valve Dispensing Systems

- Ideal for low-to-high viscosity fluids
- Stroke adjustment for precise control over dispensing volumes
- Lightweight for easy handling and mounting in automated or bench-top systems
- Able to dispense from pressurized cartridges, bottles, and pails (requires appropriate reservoir hardware)
- Compatible with most standard fluid packages and delivery systems

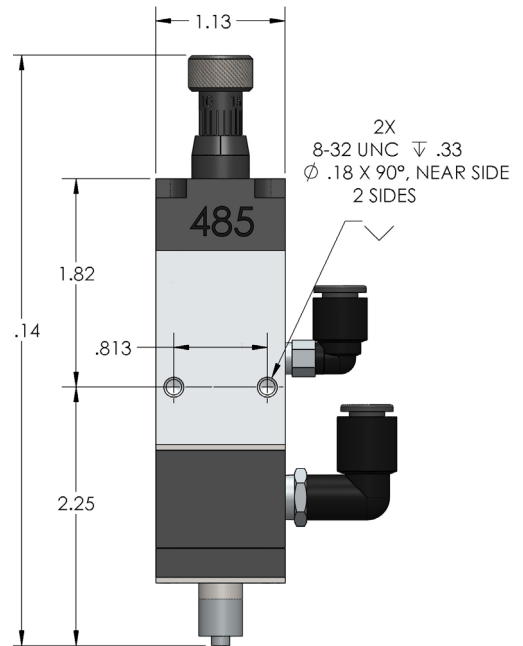
The Dymax Model 485 pneumatic, normally closed needle valve is designed to deliver precise dots or very fine beads of low- to high-viscosity fluids. The valve's stroke adjustment allows for fine-tuning of the dispense volume, ensuring precise and consistent deposits. Air pressure through the valve retracts the needle assembly from the seat allowing fluid to flow from the valve fluid inlet to the dispensing tip. When the air pressure is eliminated, the spring returns the needle back to its position, closing the fluid path and ending the dispense cycle. The Model 485 is ideally suited for a wide range of applications including glob-top dispensing and dispensing UV light-curable adhesives in medical-device manufacturing.

The Model 485 needle valve is available by itself for mounting into automated systems or is also available in a bench-top configuration, paired with the Dymax DVC-345 bench-top valve controller and a material reservoir (various styles and sizes available).



Specifications

Valve Type	Pneumatic needle valve, normally closed
Valve Construction Materials	Body: SS, Anodized Aluminum Wetted path: Acetal/SS Wetted valve seals: Silicone
Operating Air Pressure	60-80 psi (4.1 – 5.5 bar)
Activation	DVC-345 valve controller or 3-way solenoid valve
Maximum Fluid Pressure	80 psi (5.5 bar)
Electrical Supply (Controller)	110/220 VAC
Valve Air Inlet Thread	10-32
Valve Fluid Inlet Tread	1/8" (3.2 mm) NPT
Valve Dimensions (W x H x D)	1.13" x 5.14" x 1.13" (2.87 cm x 13.06 cm x 2.87 cm)
Valve Weight	7.2 oz (0.2 kg)
Valve Warranty	1 year from purchase



Available System Packages

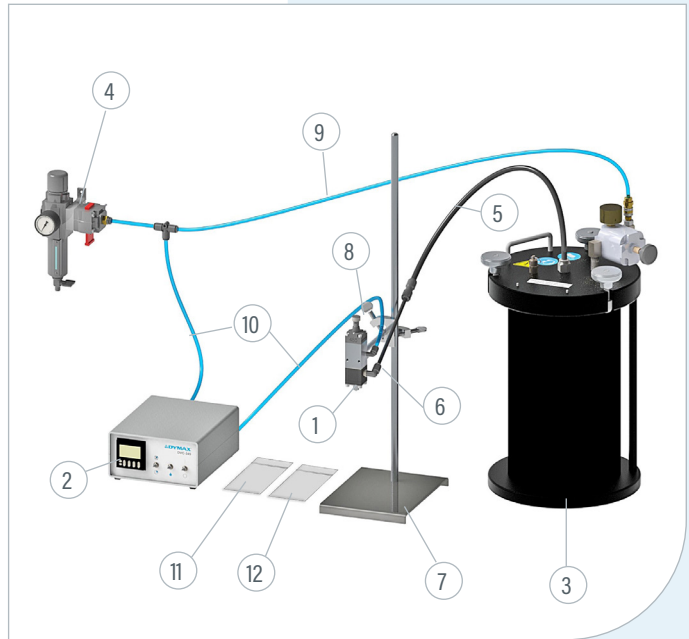
Systems Include:

- Model 485 Needle Valve
- Selected Reservoir for Fluid Package Used
- Dispensing Tip Kit for Low Viscosity Fluids
- DVC-345 Digital Valve Controller
- Air Filter/Regulator - 0-100 psi (0-6.9 bar)
- Controller Air Line Kit
- Fluid Line Kit - 6 ft of Black 1/4" (6.3 mm) OD tubing and 3/8" - 1/4" (9.5 mm - 6.3 mm) reducer and two 3/8" - 1/4" (9.5 mm - 6.3 mm) stem fitting inserts
- Valve Mounting Assembly
- Reservoir Air Line Kit
- Fluid Line Kit - 6 ft of black 3/8" (9.5 mm) OD tubing
- Dispensing Tip Kit for Medium to High Viscosity Fluids
- Air Precision Regulator - Includes three pressure gauges:
 - 0-30 psi (0-2 bar) for very low- to medium-viscosity materials
 - 0-60 psi (0-4.1 bar) for medium-viscosity materials
 - 0-100 psi (0-6.9 bar) for high-viscosity materials

System Part Numbers Based on Fluid Package Used							
Valve Only	Complete System Without Reservoir	Cartridge Drop-In			Large Bottle Drop-In	Mini Ram Pump	Pail Drop-In
		6 oz [160 mL]	12 oz [300 mL]	20 oz [550 mL]	Up to 1 Gallon	Up to 3.8 Liters	Up to 15 Liter Straight or Taper
T17617	T17832	T17731	T17732	T17733	T17734	T17837	T17735

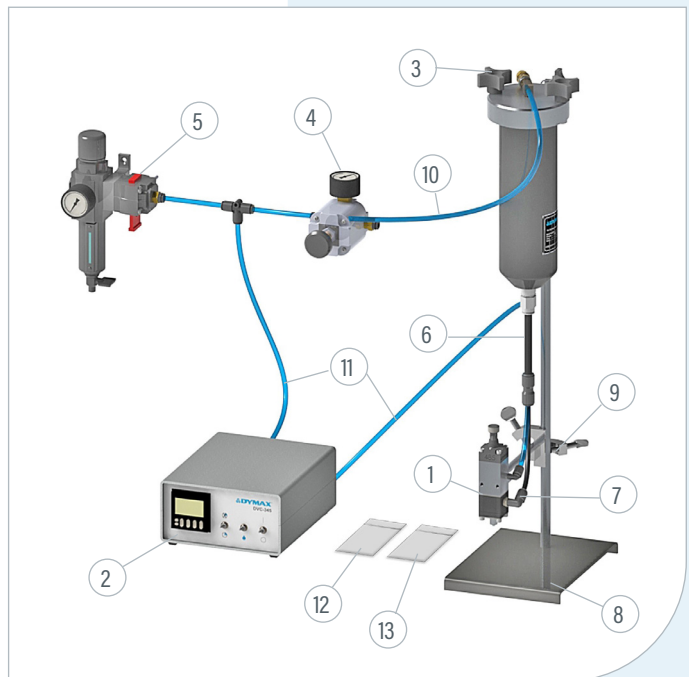
Item	Part Number	Description
1	T17617	Model 485 Needle Valve
2	T11146	Model 345 Valve Controller
3	T17004	Bottle Drop-In Tank Assembly with High-Precision Regulator
4	T16307	Filter Regulator with Air On/Off Toggle, 25 Micron
5	T16787	6 Ft of Fluid Line Kit - Black 3/8" (9.5 mm) OD PE
6	T16793	6 Ft of Fluid Line Kit - Black 1/4" (6.3 mm) OD PE
7	T15279	24" Lab Stand
8	T16857	Valve Mounting Assembly
9	T16789	Reservoir Airline Kit
10	T16786	Controller Airline Kit
11	P3424	Tip Kit for Low Viscosity Fluids
12	P3423	Tip Kit for Medium to High Viscosity Fluids

Representative Model 485 Dispensing System (T17734 with Large Bottle Reservoir Shown Below)



Item	Part Number	Description
1	T17617	Model 485 Needle Valve
2	T11146	Model 345 Valve Controller
3	T15223	550 mL (20 oz) Reservoir
4	T16629	High-Precision Regulator
5	T16307	Filter Regulator with Air On/Off Toggle, 25 Micron
6	T16787	6 Ft of Fluid Line Kit - Black 3/8" (9.5 mm) OD PE
7	T16793	6 Ft of Fluid Line Kit - Black 1/4" (6.3 mm) OD PE
8	T15279	24" Lab Stand
9	T16857	Valve Mounting Assembly
10	T16789	Reservoir Airline Kit
11	T16786	Controller Airline Kit
12	P3424	Tip Kit for Low Viscosity Fluids
13	P3423	Tip Kit for Medium to High Viscosity Fluids

Representative Model 485 Dispensing System (T17733 with 20 oz Cartridge Reservoir Shown Below)





www.dymax.com

Americas

USA | +1.860.482.1010 | info@dymax.com

Europe

Germany | +49 611.962.7900 | info_de@dymax.com
Ireland | +353 21.237.3016 | info_ie@dymax.com

Asia

Singapore | +65.67522887 | info_ap@dymax.com
Shanghai | +86.21.37285759 | dymaxasia@dymax.com
Shenzhen | +86.755.83485759 | dymaxasia@dymax.com
Hong Kong | +852.2460.7038 | dymaxasia@dymax.com
Korea | +82.31.608.3434 | info_kr@dymax.com